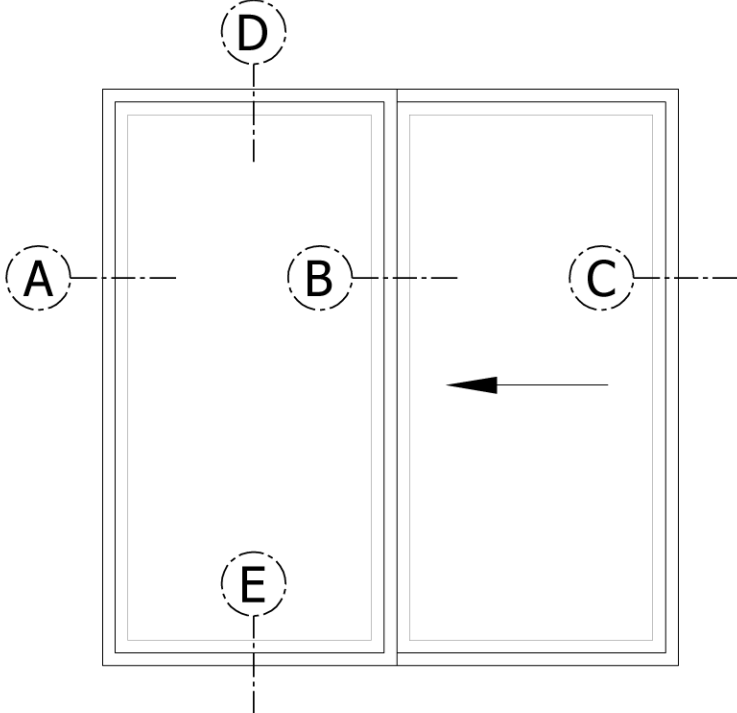


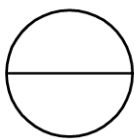
A

B

C

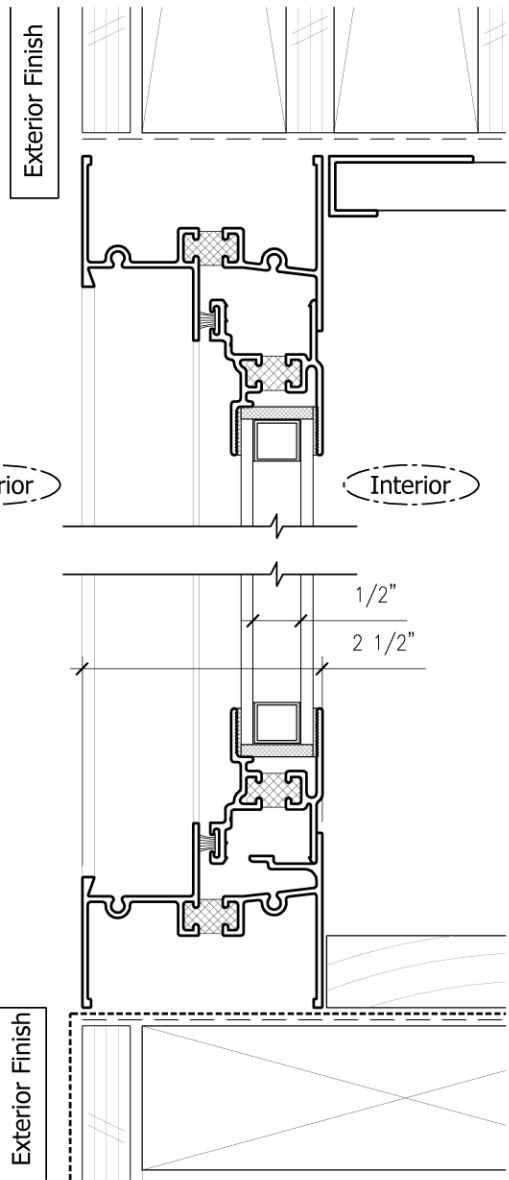
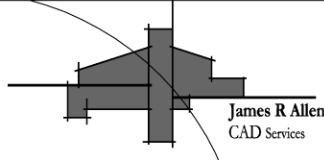
1/2" Air Equal Leg XO



 **Elevation**
Scale: 1" = 1'-0"

D

E

James R Allen
CAD Services

401 - 955 Marine Dr., West Vancouver, BC p 604.925.0465 e jamesrallen@shaw.ca

SHEET TITLE

EverBrite Aluminum Ltd.
1132 - West 14th Street
North Vancouver, BC

PROJECT NO. **03A001**

PLOT DATE: -

SCALE: **6" = 1'-0"**

DRAWN: **J.R.A.**

DWG REF: -

ISSUE: -

DWG NO. **A5**

REV: -