

(A)

(B)

(C)

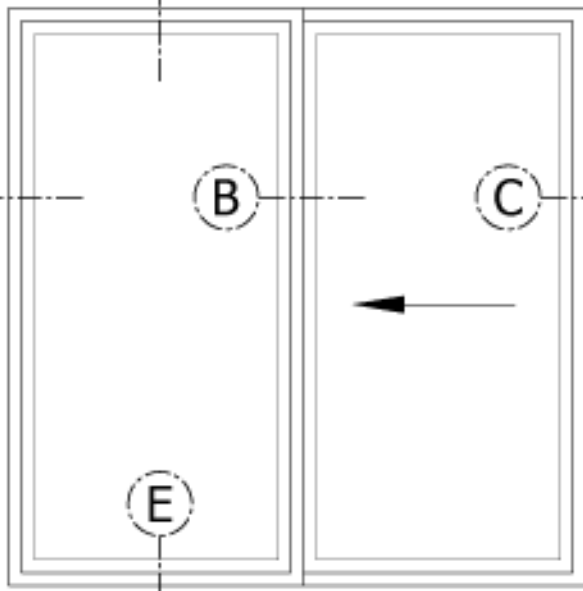
1/2" Rebate XO

(D)

(A)

(B)

(C)

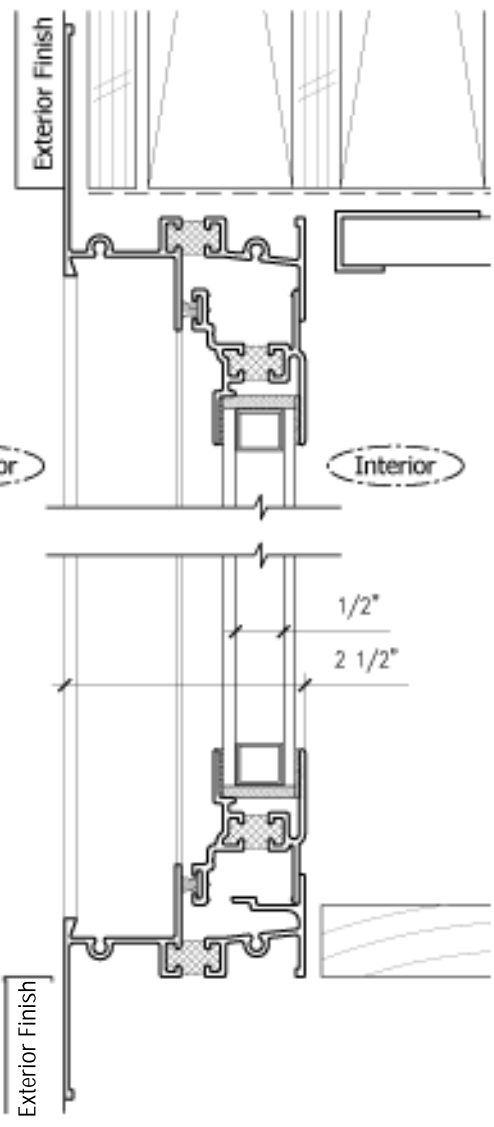


(E)

(D)

Exterior

Interior



(E)



Elevation

Scale: 1" = 1'-0"

Project No. 03A001
 Scale: 6" = 1'-0"
 A6